



ENDURANCE

Key Features:

- Lifetime limited hull warranty
- Twin engine offshore bracket with welded Bomar hatch
- Dodger roof line profile with windshield visor with gutter drains
- Aluminum self-bailing deck includes fish box & floor grip non-skid surface
- Full pilot house with enlarged v-berth, Alaskan bulkhead, level offset aisle way, heavy-duty sliding door, & cabin windows
- Boarding ladder with welded grab handle
- One color painted side stripe to waterline with clear coat
- Cabin exterior, aft deck, cabin interior, & cuddy trunk - Marble Stone Zolatone
- Three suspension seats with severe duty chassis at helm on boxes
- Electronics box, full over-head electronics box above helm from port to starboard
- Enclosed v-berth storage with locking doors, upholstered headliner & marine carpet. Includes: v-berth sleeper cushions
- Rear cowl storage
- Wash down pump
- Triple bank battery system (Dual HD cranking marine batteries & single house battery with selector switch and ACR)
- Bilge pump with auto-float

Life is better in a North River



Experience Luxury and Innovation

Experience the redefined boating experience of the Endurance. Enjoy a smoother ride, expanded cabin space, and larger fuel/fish hold options. With a 49° hull entry, 20° deadrise, .250 transom, and 28" interior side height, it sets a new standard of excellence.

Endurance	2800EXL	3000EXL	3200EXL	3400EXL
Length Overall	32'7"	34'7"	36'7"	38'7"
Centerline Length	28'	30'	32'	34'
Cabin Length/Height	108"/78"	108"/78"	108"/78"	108"/78"
Cockpit Length/Width	97"/105"	121"/105"	145"/105"	169"/105"
Beam	9'10"	9'10"	9'10"	9'10"
Bottom	.250	.250	.250	.250
Sides	42" x .190	42" x .190	42" x .190	42" x .190
Fuel Capacity - Gallons	170	190	200	310
Dry Weight - lbs	6,500	7,100	7,700	8,200
Person Capacity	8	8	10	10
Person Wt. Capacity	1,480	1,480	1,850	1,850
Max Wt. Capacity on water (Persons, Motors & Gear) - lbs	8,586	8,964	9,705	10,300
Max Horsepower	600	900	900	1,350

Boat on Trailer Dimensions - Average values*

Highest Fixed Point	11' 10"	11' 10"	11' 10"	11' 10"
Length Overall Coupler to Main Engine	38'	40'	42'	44'

*Make of trailer will affect actual values.

Endurance

- 28' x 9' 10" Endurance 2800EXL
- 30' x 9' 10" Endurance 3000EXL
- 32' x 9' 10" Endurance 3200EXL
- 34' x 9' 10" Endurance 3400EXL



Fabrication

- 1026 - Endurance Aft station helm, console only
- 1026A - Endurance Aft station helm, twin engine
- 1045 - Plano storage inside console
- 1050 - Beaching plate
- 1101 - Toe kick, welded
- 1103 - Crab pot protector (Starboard only)
- 1220 - Bracket, welded swim deck kicker (Port)
- 1270 - Brackets, welded down rigger (Pair at FWD stern rail)
- 1300 - Inside Passage bulkhead with footrest riser & extended sleeper cushion. (Port only)
Curtain replaces V-berth doors & bulkhead.
- 1455 - Cabin aft overhang, extended to 36" center length
- 1500 - Door, walk thru bow (Cuddy & V-berth eliminated)
- 1530 - Door, side boarding (Port)
- 1542 - Trim lip, aluminum at rear cowling
- 1545 - Door, transom boarding (Starboard)
- 1621A - Rear cowling storage box, single with shoe box lid
- 1622A - Rear cowling storage box, two with shoe box lids
- 1761A - Fish boxes, side mounted floor w/ Whale Gulper pumps (QTY 2)
- 1800 - Ladder, roof top (Port or Starboard)
- 1820 - Fold out steps, roof top access (QTY 2)
- 2121 - Rails, welded 6" full wrap stern rails (Fore or aft of transom cowling)
- 2165C - Rod holder (QTY 3) welded to net holder (QTY 1) (Port and Starboard)
- 2200 - Rub Rails, (1 Port & 1 Starboard)
- 2200B - Rub rails, upper & lower (2 Port & 2 Starboard)
- 2220A - Rod holders, welded to fore side of roof top rod holder assembly (QTY 6)
- 2225 - Rose bud cleats, welded aft deck (QTY 4)
- 2255 - Storage rack, roof top
- 2260 - Mechanical scupper drains (Exch. ball drains)
- 2285 - Insulate fish box sides and bottom (Per fish box option)
- 2600 - Frontier davit, at AKBH thru aft cabin overhang
Includes: fabrication of davit, enclosure and paint (Dealer supplied winch / hauler)
- 2600B - Frontier davit, at AKBH thru aft cabin overhang
Includes: fabrication of davit, enclosure and paint (Factory supplied Electro-Dyne winch / hauler)
- 2610 - Dinghy Hoist / Davit with winch #EMD2000SSRP (Thru aft cabin overhang)
NOTE: Aft station option required.
- GX3 - Lone Star GX3 Drum Anchor Winch - up to 30ft.
- GX4 - Lone Star GX4 Drum Anchor Winch - up to 40ft.
- GX-A - Lone Star GX3 & GX4 Drum Anchor Winch Welded Provisions - ONLY
- SK-2 - Seakeeper 2, installed in floor fish hold (Shore power option required)
- SK-3 - Seakeeper 3, installed in floor fish hold (Shore power option required)

Upholstery

- 580 - Seat, flip up with snap on cushions (Each) (Aft deck)
- 625 - Swivels, installed on helm seats (Port & Starboard)
- 710 - Seat, Ocean Master

See Dealer For Additional Options



Paint Colors

- 4060 - Color matched Zolatone (Cabin, gunwales & aft deck)
- 4115 - One color full side paint to chine
- 4135 - Two color side paint to chine

Outfitting

- 3002 - Anchor windlass, Lofrans LION 1000 1/4" horizontal gypsy
- 3002A - Foot switches for Lofrans LION 1000 windlass
- 3150A - Aerate, rear cowling storage box (Port)
- 3175 - Heater / defroster, Wallas Viking (7' & 9' cabin)
- 3180 - Heater / defroster, Wallas Spartan (11' cabin)
- 3220 - Light, LED rear deck (QTY 1)
- 3230 - Light, LED courtesy at aisle way (QTY 4)
- 3240 - Switch panel, additional eight switch panel
- 3245 - Bow thruster, Side Power SE40/125s single prop 88lb thrust - Includes: Joystick, GRP 27 Battery & 1 Bank charging system (Requires shore power)
- 3247 - Bow thruster, flat panel thruster control (second station)
- 3382 - Dual USB-A/C combo charger (Each) (Portside)
- 3400B - Pump, Whale Gulper pump for in-floor fish box (Twin engine)
- 3431 - Alarm, high water
- 3435 - Pump, bilge, second 2200 GPH bilge pump
- 3441 - Refrigerator, drawer Isotherm Cruise 65 SS, 2.3 Cu Ft., AC/DC (Requires 24" cabinet)
- 3443 - Refrigerator, drawer Isotherm Cruise 130 SS w/Freezer, 4.6 Cu Ft., AC/DC
NOTE: Requires 24" cabinet and cannot have sink or stove above unit
- 3444 - Refrigerator, drawer Isotherm Cruise 85 SS, 3.0 Cu. Ft., AC/DC (Requires 24" cabinet)
- 3600 - Shore power for 3 batteries with 3 bank charging system
- 3610 - Shore power and upgrade to 4 batteries with 4 bank charging system
- 3630 - Shore power, Freedom XC Pro Marine 3000w Inverter w/ 4 batteries & 4 bank charging system
- 3690 - Sink, large, w/ faucet & 10 gallon tank (Requires 24" cabinet)
- 3691 - Sink, small, w/ faucet & 10 gallon tank (Requires 12" cabinet)
- 3695 - Water tank, 18 gallon upgrade (Exch. 10 gallon tank)
- 3720B - Spotlight, Go Light Stryker with remote
- 3750 - Stove, Wallas Nordic Dt diesel with blower lid for cabin heat (Requires 24" cabinet)
- 3751 - Diesel tank, 5 gal. aluminum tank w/ external fill & dash fuel gauge
- 3770 - Toilet, flushing centered inside cuddy
- 3820 - Water test, pre dealer delivery
- 3825 - Windshield wiper washer system
- 3830A - Fresh water system, wash down & 18 gallon tank
- 3830B - Fresh water system with sink & faucet, wash down & 18 gallon tank
- 3840 - Hot fresh water shower system, w/ S600EW heater, 30 gallon tank & drain sump
- 3845 - Head drain, with Attwood sump pump (Requires stand up head)

Steering

- HS 2 - Hydraulic steering system, twin main engine
- HS YXC2 - Hydraulic steering system main helm, Yamaha XC twin engine

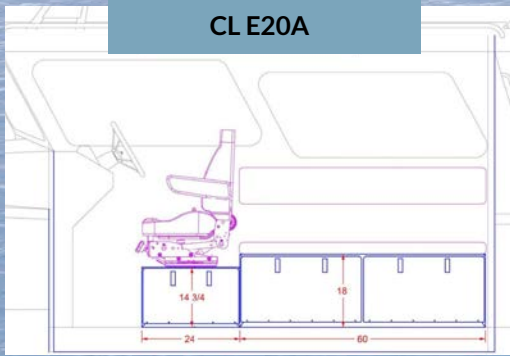
See Dealer For Additional Options



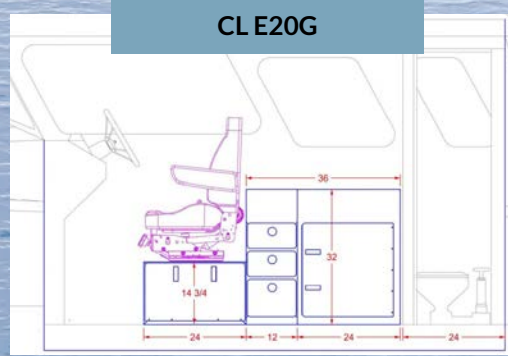
Cabin Layouts - Choose a Port & Starboard Layout Option

- 9' CABIN
- CL E20A - (1) Storage seat box (60") w/cushion and back rest (Aft of helm)
- CL E20G - (1) Galley cabinet (36") & (1) Stand up flushing toilet (24") Aisle facing
- 9' CABIN PORT (Includes offset aisle way upgrade)
- CL E45I-P - (1) Dinette with fixed bench seats and back rests (24" Table & footrest)
- 11' CABIN (Includes 11' length upgrade)
- CL E50G - (1) Galley cabinet (60") & (1) Stand up flushing toilet (24") Aisle facing
- CL E50H - (1) Galley cabinet (48") & (1) Stand up flushing toilet (36") Forward facing
- 11' CABIN PORT (Includes 11' length & offset aisle way upgrade)
- CL E60I-P - (1) Dinette with fixed bench seats and back rests (48" Table & footrest)

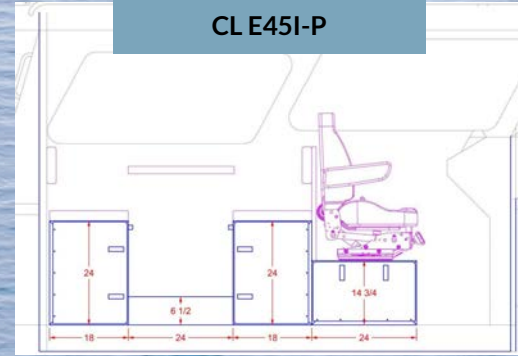
CL E20A



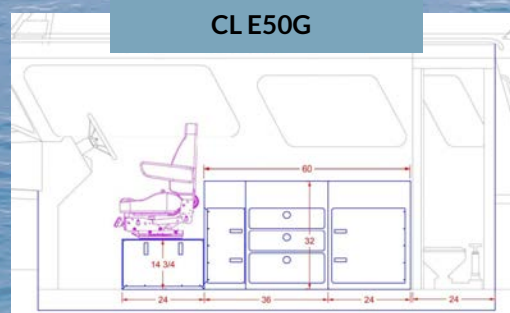
CL E20G



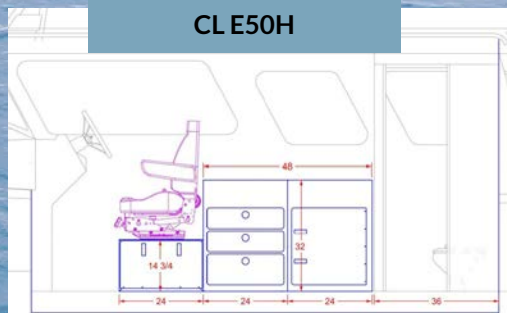
CL E45I-P



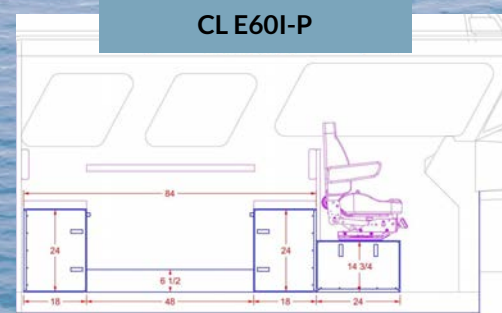
CL E50G



CL E50H



CL E60I-P



See Dealer For Additional Options



Fuel and Fish Hold

- 120G-40FB28 - 120 Gallon fuel tank & 40" Fish hold (2800EXL with 9' cabin only)
- 120G-40FB30 - 120 Gallon fuel tank & 40" Fish hold (3000EXL with 11' cabin only)
- 140G-36FB28 - 140 Gallon fuel tank & 36" Fish hold (2800EXL with 9' cabin only)
- 140G-36FB30 - 140 Gallon fuel tank & 36" Fish hold (3000EXL with 11' cabin only)
- 170G-24FB28 - 170 Gallon fuel tank & 24" Fish hold (2800EXL with 9' cabin only)
- 170G-24FB30 - 170 Gallon fuel tank & 24" Fish hold (3000EXL with 11' cabin only)
- 190G-40FB30 - 190 Gallon fuel tank & 40" Fish hold (3000EXL with 9' cabin only)
- 190G-40FB32 - 190 Gallon fuel tank & 40" Fish hold (3200EXL with 11' cabin only)
- 200G-36FB32 - 200 Gallon fuel tank & 36" Fish hold (3200EXL with 11' cabin only)
- 200G-40FB32 - 200 Gallon fuel tank & 40" Fish hold (3200EXL with 9' cabin only)
- 255G-40FB34 - 255 Gallon fuel tank & 40" Fish hold (3400EXL with 11' cabin only)
- 275G-36FB34 - 275 Gallon fuel tank & 36" Fish hold (3400EXL with 11' cabin only)
- 310G-24FB34 - 310 Gallon fuel tank & 24" Fish hold (3400EXL with 11' cabin only)
- 200G-36FB30 - 200 Gallon fuel tank & 36" Fish hold (3000EXL with 9' cabin only)
- 240G-24FB30 - 240 Gallon fuel tank & 24" Fish hold (3000EXL with 9' cabin only)
- 240G-24FB32 - 240 Gallon fuel tank & 24" Fish hold (3200EXL with 11' cabin only)
- 255G-0FB28 - 255 Gallon fuel tank & DELETE Fish hold (2800EXL with 9' cabin only)
- 255G-0FB30 - 255 Gallon fuel tank & DELETE Fish hold (3000EXL with 11' cabin only)
- 340G-36FB34 - 340 Gallon fuel tank & 36" Fish hold (3400EXL with 9' cabin only)
- 340G-24FB34 - 340 Gallon fuel tank & 24" Fish hold (3400EXL with 9' cabin only)
- 275G-36FB32 - 275 Gallon fuel tank & 36" Fish hold (3200EXL with 9' cabin only)
- 310G-24FB32 - 310 Gallon fuel tank & 24" Fish hold (3200EXL with 9' cabin only)
- 340G-0FB30 - 340 Gallon fuel tank & DELETE Fish hold (3000EXL with 9' cabin only)
- 340G-0FB32 - 340 Gallon fuel tank & DELETE Fish hold (3200EXL with 11' cabin only)
- 415G-0FB32 - 415 Gallon fuel tank & DELETE Fish hold (3200EXL with 9' cabin only)
- 415G-0FB34 - 415 Gallon fuel tank & DELETE Fish hold (3400EXL with 9' or 11' cabin only)



See Dealer For Additional Options

Trailer & Outboard Engine Options - Dealer to provide pricing for appropriate equipment found within the 2025MY Dealer Sales Book

Prices subject to change. Photos include items that may not be standard features or options. Options may not be available on all models.